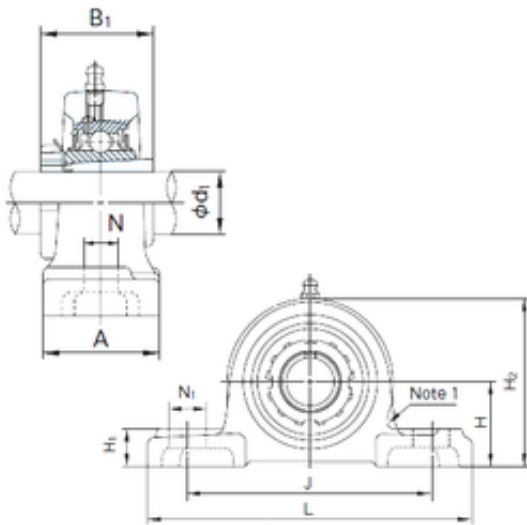




# American BEARING MFG.CORP.

## NACHI UKPX17+H2317 Unidad De Rodamiento

Bearing No. UKPX17+H2317



UKPX17+H2317 Bearing 2D drawings and 3D CAD models

Bore Diameter	75 mm
Width	101,6 mm
d	75 mm
A	102 mm
B1	82 mm
H	101,6 mm
H1	42 mm
H2	202 mm
J	283 mm
L	381 mm
N	27 mm
N1	59 mm
Bolt (G)	M22