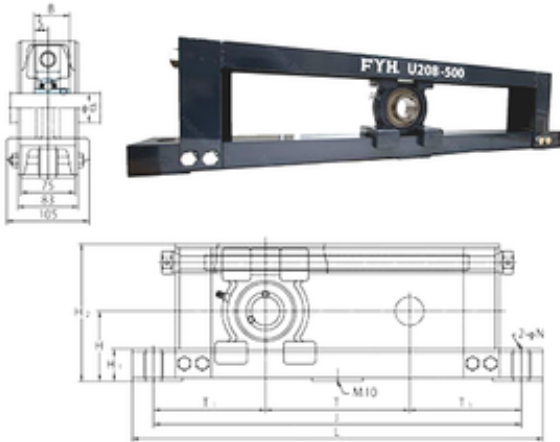




American BEARING MFG.CORP.

FYH UCTU211-500 Unidad De Rodamiento

Bearing No. UCTU211-500



UCTU211-500 Bearing 2D drawings and 3D CAD models

Bore Diameter	55 mm
Width	55,6 mm
d	55 mm
T1	175 mm
B	55,6 mm
H	115 mm
H1	44 mm
H2	230 mm
J	850 mm
L	910 mm
N	22 mm
S	22,2 mm
T	500 mm
Bolt (G)	M18
Weight	25 Kg
Basic dynamic load rating (C)	43,4 kN
Basic static load rating (C0)	29,4 kN